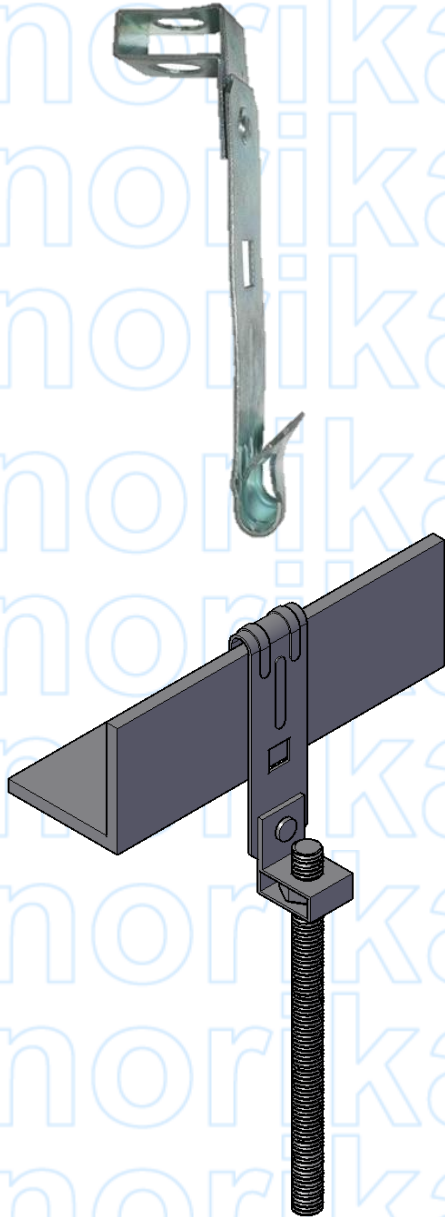
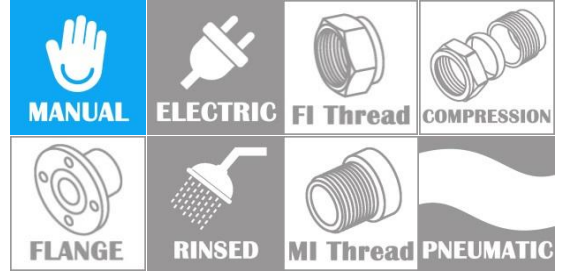
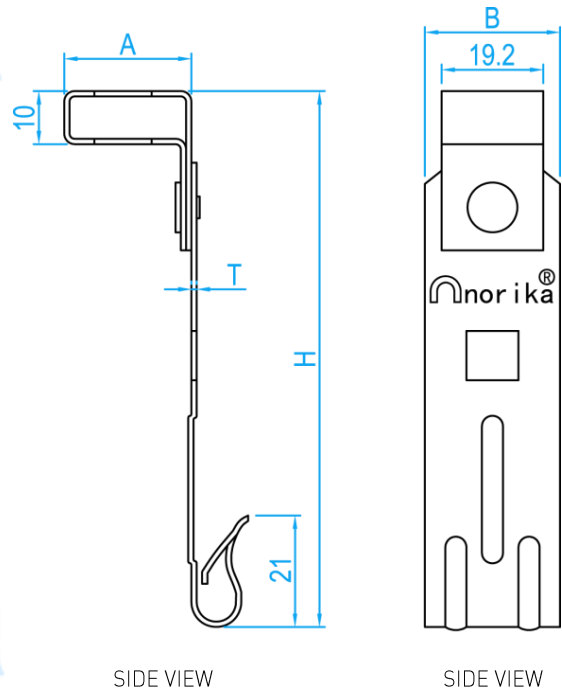


# UNISTRUT F CLIP



INSTALLATION ASSEMBLY



SIDE VIEW

SIDE VIEW

## COMPONENT PARTS

MATERIAL	Mild Steel
COATING	Cold Galvanized

## DIMENSIONS

SKU	A (mm)	B (mm)	H (mm)	T (mm)	WEIGHT (kg)	PCS/CTN
OLFCB	24.0	25.5	101.0	1.0	0.035	500